



FLEX CUSHION



ASSEMBLY INSTRUCTIONS

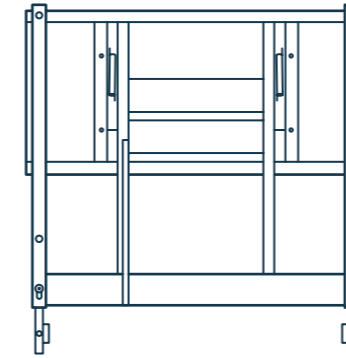
DUX, DUXIANA and DUX Pascal-systems are registered  
trademark owed by Dux Design AB 2012.  
Printed 2021.02.01

[dux.com](http://dux.com)

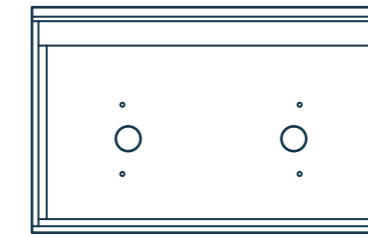


## HARDWARE

×1 Frame



×1 Upholstery



×4 Bolts

## TOOLS NEEDED

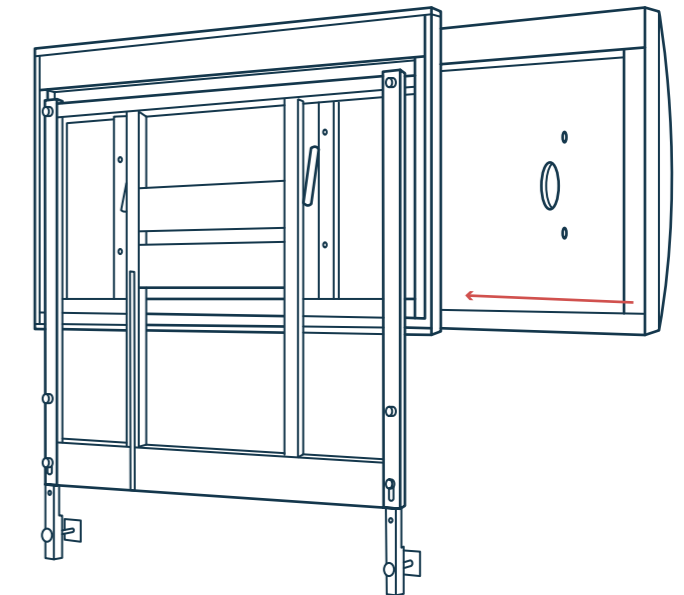
Allen key 4mm (included)



## ASSEMBLING

### I. POSITION THE FRAME

Position the frame and the cushion close together.



### II. CONNECT THE FRAME

Connect the frame and the cushion with the bolts that follows.

